



IEC Charge Coupler Connector

Along with the increasing awareness of environmental protection, more and more people are eager to use green energy to protect and improve the surrounding environment. Meanwhile, the government also encourages and advocates green travel, using the green energy vehicles, to achieve the energy conservation and emission reduction target. Europe will be the second largest electric vehicle market in the world after China. In 2018, the sales volume of electric vehicles in Europe was about 430,000, increased 41% year on year; in 2017 the sales volume was 307,000, increase 39% compared to 2016. At the same time, with the improvement of charging facilities and the large-scale use of electric vehicles in various car rental markets, electric vehicles will gradually become more popular. As one of the standard-settler for conductive charging connection devices of electric vehicles, Chilye's product design concept and quality take a leading position in the industry.



Revision	Description	Date	Modified by
REV_A	First Released	2023/1/29	Xiangqiang.gu
REV_B	Updated the length of cable	2024/4/24	Xiangqiang.gu
REV_C	Updated typesetting	2024-8-20	gerry.zhou

▲ If you want to know more information about this series products, please feel free to contact with us.

SUZHOU CHILYE GREEN TECHNOLOGY CO.,LTD.

Address: No.2 Rui en Lane, Xingpu Road, Suzhou Industrial Park, Jiangsu Province, China

Tel: 0512-69566052 Fax: 0512-69566055

Email: evsales@chilye.com



Applications

Conductive charging of Electric Vehicles

Mechanical

Durability: $\geq 100\ 00$ mating cycles
Connection: Crimped connections
Mating Force $\leq 100\text{N}$ (Type 2); $\leq 70\text{N}$ (Type 1)

Electrical

Rated Voltage: 250/480Vac
Rated Current : 13A/16A/20A/32A
Insulation Resistance: $>200\text{M}\Omega$
Withstand voltage: 2000V ac

Environmental

Protection grade: IP55(With dust cap);
Electrical protection: IP2XB(No dust cap)
Operating temperature: -30°C to 50°C
Storage temperature: -40°C to 85°C

Certification

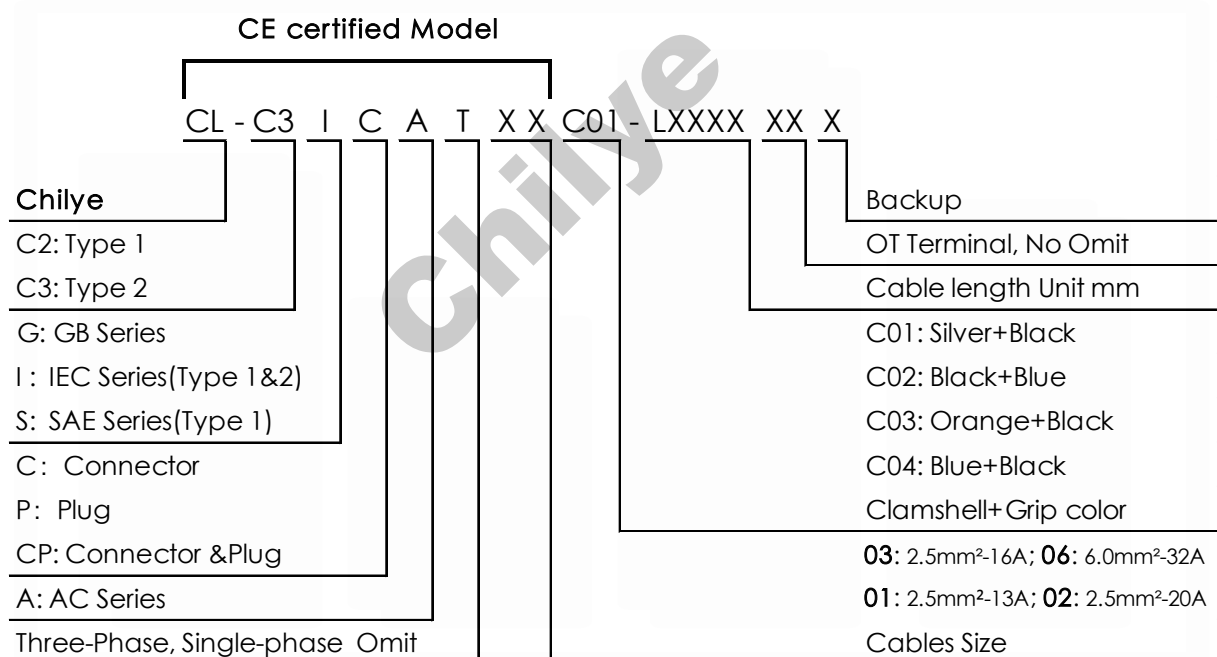
CE certified
TUV Mark authorization

Standards

IEC 62196-1
IEC 62196-2
IEC 61851-1

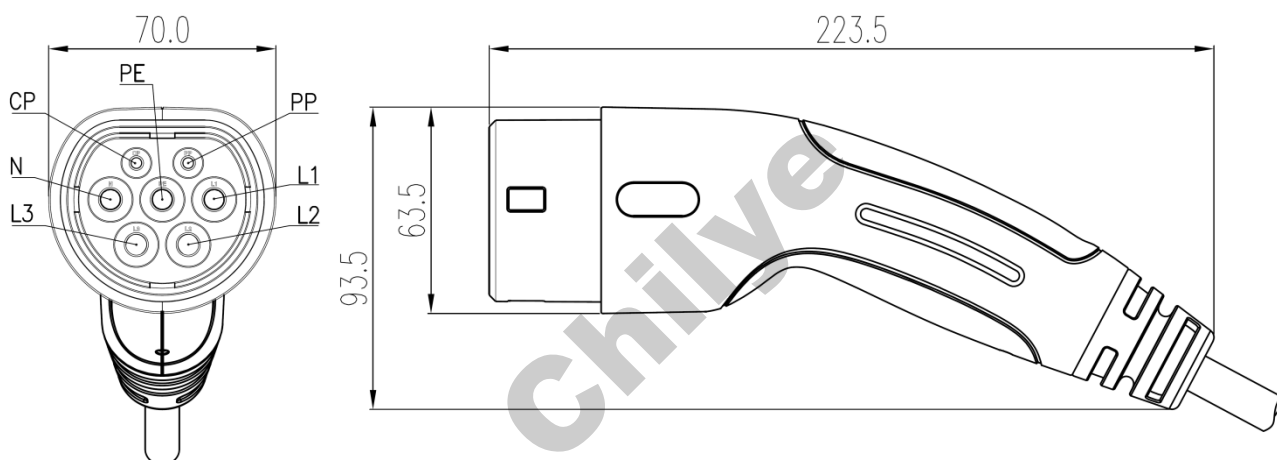


Product model instruction





1. Vehicle connector(2-llc) --- Product outline dimensions

**IEC Type 2**

Mode 2&3 Case B&C connection

It is composed of vehicle connector, and cable, providing 13A,16A,20A, 32A current and 250V/480Vac single phase and three phase power for charging electric vehicle.



◆ Cables

Single phase: $\leq 20A$ 3*2.5mm²+1*0.5mm²; 32A 3*6.0mm²+1*0.5mm²;
Wire color : L---Brown; N---Blue; PE---Yellow green ;CP---Orange/Red

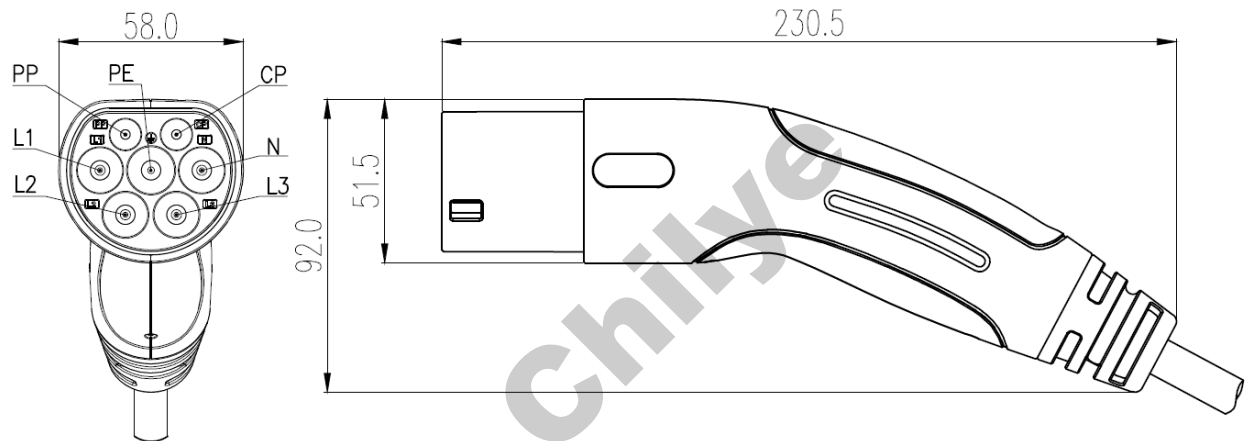
Three phase: $\leq 20A$ 5*2.5mm²+1*0.5mm²; 32A 5*6.0mm²+1*0.5mm²;
Wire color : L1---Brown; L2---Black; L3---Gray; N---Blue; PE---Yellow green ;CP---Orange/Red

Product Selection

Product Model	Rated Current (A)	Cable Size (mm ²)	Cable Diameter (mm)	Phase
CL-C3ICA01	13	2.5	$\Phi 10.2 \pm 0.3$	Single-Phase
CL-C3ICA02	16	2.5	$\Phi 10.2 \pm 0.3$	Single-Phase
CL-C3ICA03	20	2.5	$\Phi 10.2 \pm 0.3$	Single-Phase
CL-C3ICA06	32	6.0	$\Phi 12.8 \pm 0.5$	Single-Phase
CL-C3ICAT03	16	2.5	$\Phi 14.0 \pm 0.5$	Three- Phase
CL-C3ICAT02	20	2.5	$\Phi 14.0 \pm 0.5$	Three- Phase
CL-C3ICAT06	32	6.0	$\Phi 16.1 \pm 0.5$	Three- Phase



2. Plug(2-llb) --- Product outline dimensions

**IEC Type 2**

Mode 3 Case B connection

It is composed of vehicle connector, and cable, providing 13A,16A,20A, 32A current and 250V/480Vac single phase and three phase power for charging electric vehicle.



◆ Cables

Single phase: $\leq 20A$ $3*2.5mm^2+1*0.5mm^2$; $32A$ $3*6.0mm^2+1*0.5mm^2$;

Wire color : L---Brown; N---Blue; PE---Yellow green ;CP---Orange

Three phase: $\leq 20A$ $5*2.5mm^2+1*0.5mm^2$; $32A$ $5*6.0mm^2+1*0.5mm^2$;

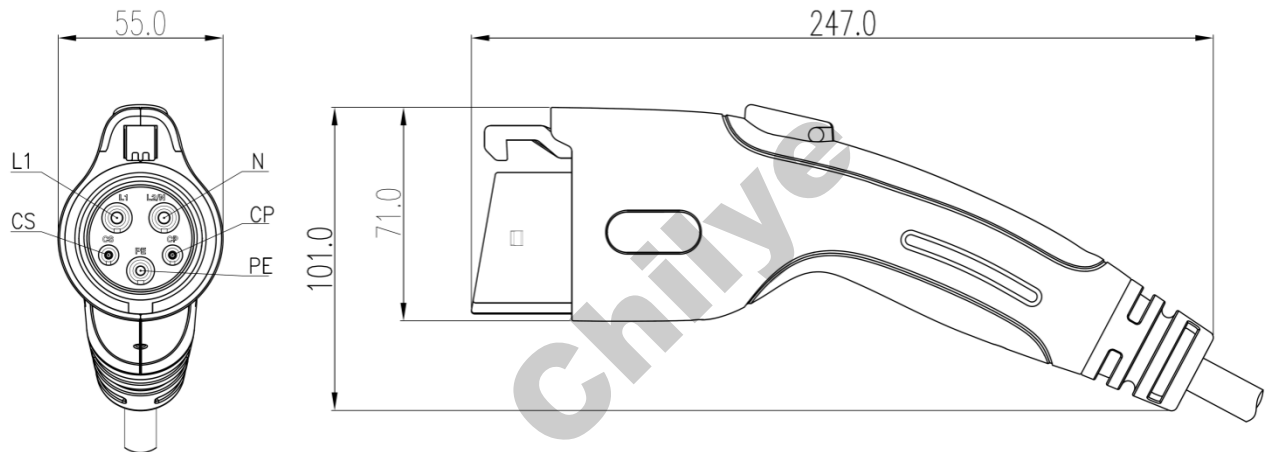
Wire color : L1---Brown; L2---Black; L3---Gray; N---Blue; PE---Yellow green ;CP---Orange

Product Selection

Product Model	Rated Current (A)	Cable Size (mm ²)	Cable Diameter (mm)	Phase
CL-C3IPA01	13	2.5	$\Phi 10.2 \pm 0.3$	Single-Phase
CL-C3IPA02	16	2.5	$\Phi 10.2 \pm 0.3$	Single-Phase
CL-C3IPA03	20	2.5	$\Phi 10.2 \pm 0.3$	Single-Phase
CL-C3IPA06	32	6.0	$\Phi 12.8 \pm 0.5$	Single-Phase
CL-C3IPAT03	16	2.5	$\Phi 14.0 \pm 0.5$	Three- Phase
CL-C3IPAT02	20	2.5	$\Phi 14.0 \pm 0.5$	Three- Phase
CL-C3IPAT06	32	6.0	$\Phi 16.1 \pm 0.5$	Three- Phase



3. Vehicle connector (2-I)--- Product outline dimensions

**IEC Type 1**

Mode 2&3 Case B&C connection

It is composed of vehicle connector and cable, providing 13A,16A,20A, 32A current and 250V single phase power for charging electric vehicle.



◆ Cables

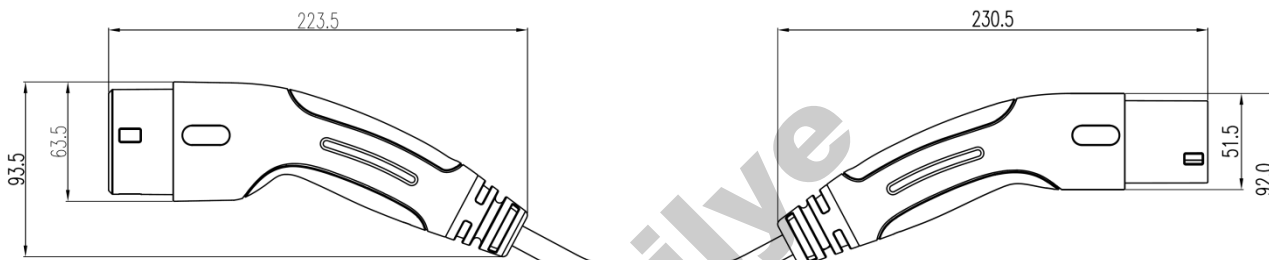
Single phase: $\leq 20A$ $3*2.5mm^2+1*0.5mm^2$; $32A$ $3*6.0mm^2+1*0.5mm^2$;
Wire color : L---Brown; N---Blue; PE---Yellow green ;CP---Orange

Product Selection

Product Model	Rated Current (A)	Cable Size (mm ²)	Cable Diameter (mm)	Phase
CL-C2ICA01	13	2.5	$\Phi 10.2 \pm 0.3$	Single-Phase
CL-C2ICA02	16	2.5	$\Phi 10.2 \pm 0.3$	Single-Phase
CL-C2ICA03	20	2.5	$\Phi 10.2 \pm 0.3$	Single-Phase
CL-C2ICA06	32	6.0	$\Phi 12.8 \pm 0.5$	Single-Phase



4. IEC Mode 3 Case B connection--- Product outline dimensions

**IEC Type 2+Type 2**

Mode 3 Case B connection

It is composed of vehicle connector, and cable, providing 13A,16A,20A, 32A current and 250V/480Vac single phase and three phase power for charging electric vehicle.



◆ Cables

Single phase: $\leq 20A$ $3*2.5mm^2+1*0.5mm^2$; $32A$ $3*6.0mm^2+1*0.5mm^2$;
Wire color : L---Brown; N---Blue; PE---Yellow green ;CP---Orange/Red

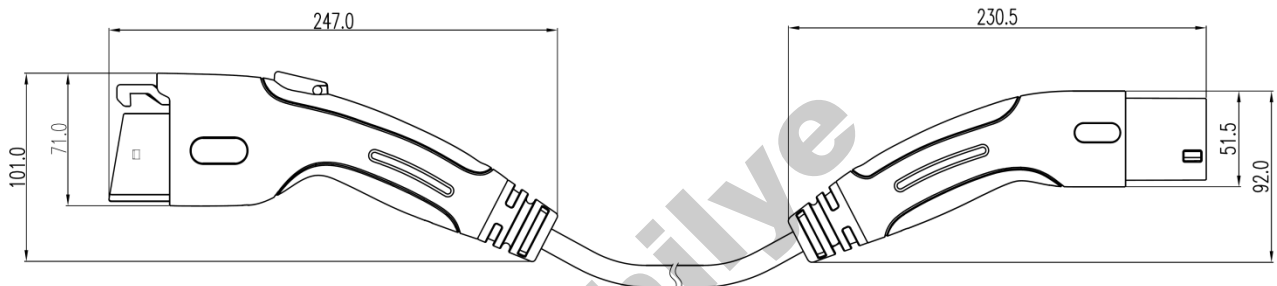
Three phase: $\leq 20A$ $5*2.5mm^2+1*0.5mm^2$; $32A$ $5*6.0mm^2+1*0.5mm^2$;
Wire color : L1---Brown; L2---Black; L3---Gray; N---Blue; PE---Yellow green ;CP---Orange/Red

Product Selection

Product Model	Rated Current (A)	Cable Size (mm ²)	Cable Diameter (mm)	Phase
CL-C3ICPA01	13	2.5	$\Phi 10.2 \pm 0.3$	Single-Phase
CL-C3ICPA02	16	2.5	$\Phi 10.2 \pm 0.3$	Single-Phase
CL-C3ICPA03	20	2.5	$\Phi 10.2 \pm 0.3$	Single-Phase
CL-C3ICPA06	32	6.0	$\Phi 12.8 \pm 0.5$	Single-Phase
CL-C3ICPAT03	16	2.5	$\Phi 14.0 \pm 0.5$	Three- Phase
CL-C3ICPAT02	20	2.5	$\Phi 14.0 \pm 0.5$	Three- Phase
CL-C3ICPAT06	32	6.0	$\Phi 16.1 \pm 0.5$	Three- Phase



5. IEC Mode 3 Case B connection--- Product outline dimensions

**IEC Type 1+Type 2**

Mode 3 Case B connection

It is composed of vehicle connector, and cable, providing 13A,16A,20A, 32A current and 250V single phase power for charging electric vehicle.



◆ Cables

Single phase: $\leq 20A$ $3 \times 2.5\text{mm}^2 + 1 \times 0.5\text{mm}^2$; $32A$ $3 \times 6.0\text{mm}^2 + 1 \times 0.5\text{mm}^2$;
 Wire color : L---Brown; N---Blue; PE---Yellow green ;CP---Orange/Red









Product Selection

Product Model	Rated Current (A)	Cable Size (mm ²)	Cable Diameter (mm)	Phase
CL-C2ICPA01	13	2.5		Single-Phase
CL-C2ICPA02	16	2.5		Single-Phase
CL-C2ICPA03	20	2.5		Single-Phase
CL-C2ICPA06	32	6.0		Single-Phase



6. Vehicle connector --- Color selection



序号 Item	颜色代码 Color code	外体颜色Clamshell color			包胶颜色Overmold Grip Color			组合颜色 Combined Color
		Description	Color No.	Color Card	Description	Color No.	Color Card	
1	C01	Silver	7541C		Black	446C		SL+BL
2	C02	Black	446C		Blue	2194C		BK+BL
3	C03	Orange	1505C		Black	446C		OR+BK
4	C04	Blue	2194C		Black	446C		BL+BK